

Attorney's Docket No.: 10559-104001 / P7988

Handwritten notes: 10559-104001, 3/28/01, KPOKKEP

IN THE UNITED STATES PATENT AND TRADEMARK OFFICE

Applicant : Dean P. Macri et al.
Serial No. : 09/539,343
Filed : March 31, 2000
Title : TRIMMING SURFACES

Art Unit : 3635 2672
Examiner : Unknown

Attention: Official Draftsman
Commissioner for Patents
Washington, D.C. 20231

RECEIVED

MAR 28 2001

Technology Center 2600

TRANSMITTAL OF FORMAL DRAWINGS

Please substitute the enclosed nine sheets of formal drawings for the corresponding drawings presently in the application.

Please apply any charges or credits to Deposit Account No. 06-1050.

Respectfully submitted,

Date: March 20, 2001

Paul A. Pysher
Paul A. Pysher
Reg. No. 40,780

Fish & Richardson P.C.
225 Franklin Street
Boston, MA 02110-2804
Telephone: (617) 542-5070
Facsimile: (617) 542-8906

20214294.doc

CERTIFICATE OF MAILING BY FIRST CLASS MAIL

I hereby certify under 37 CFR §1.8(a) that this correspondence is being deposited with the United States Postal Service as first class mail with sufficient postage on the date indicated below and is addressed to the Commissioner for Patents, Washington, D.C. 20231.

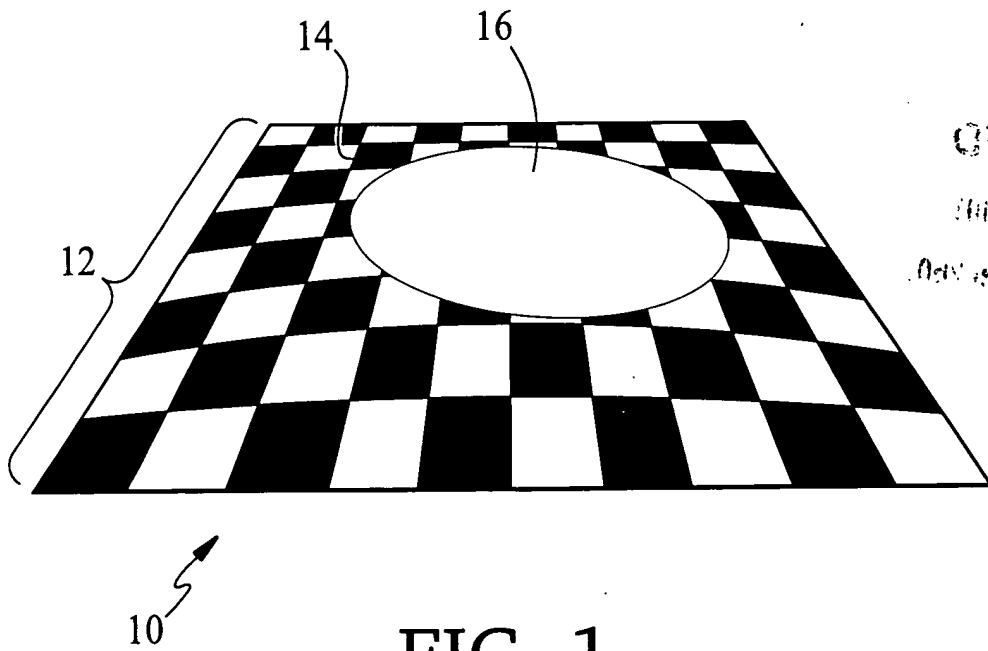
Date of Deposit March 20, 2001

Signature Denise M. Bronsdon

Typed or Printed Name of Person Signing Certificate Denise M. Bronsdon

Handwritten initials: DP

APPROVED	C.G. FIG.
BY	CLASS/SUBCLASS
DRAFTSMAN	



0-11-11
1111 11 1111
1111 1111 1111 1111

FIG. 1

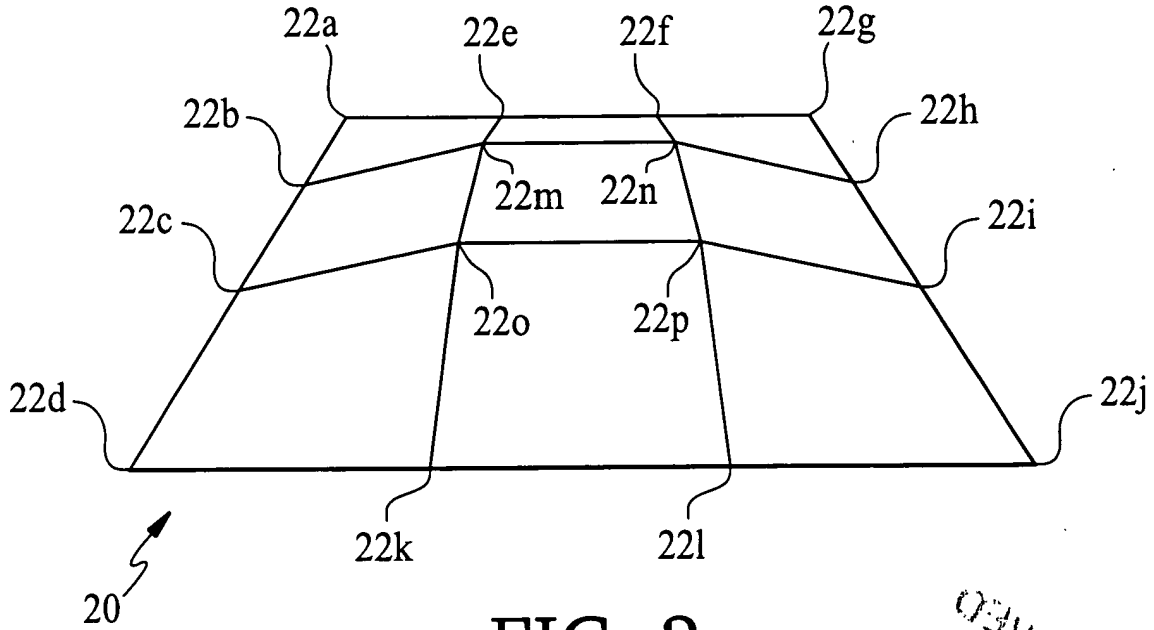


FIG. 2

RECEIVED
NOV 2 1960
U.S. PATENT OFFICE

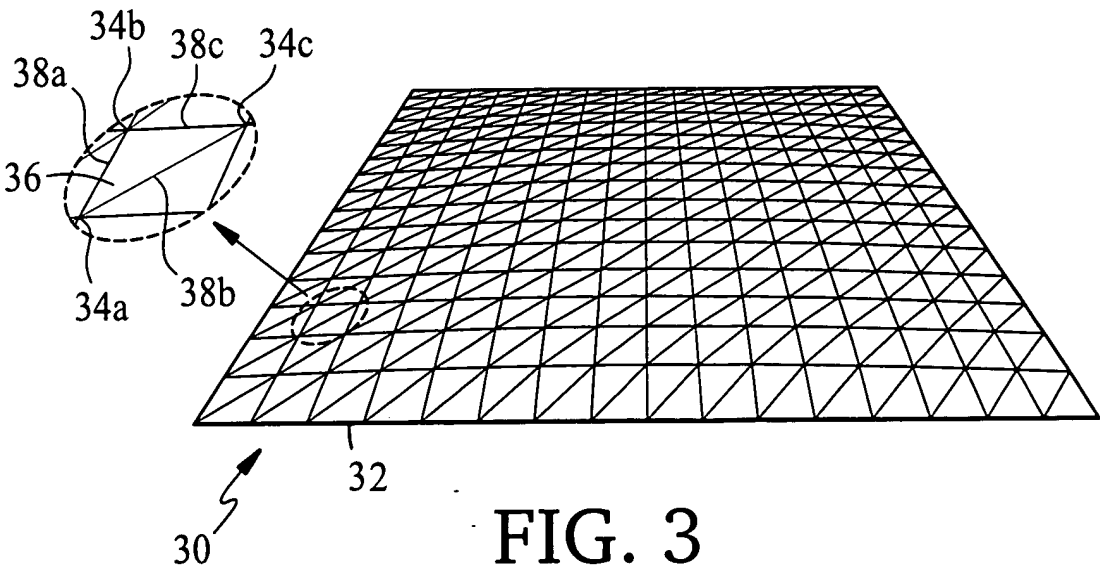


FIG. 3

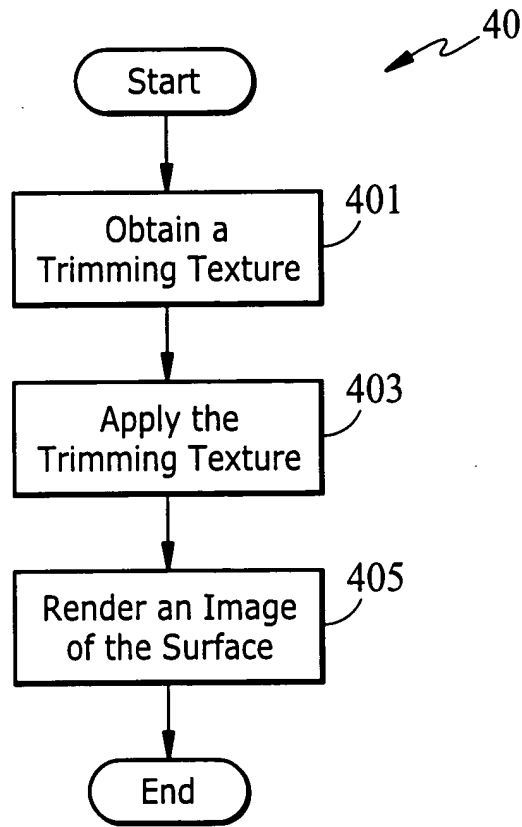


FIG. 4

RECEIVED
MAY 18 2000
COMMUNICATIONS SECTION

APPROVED FOR PUBLICATION
BY [illegible]
DATE [illegible]

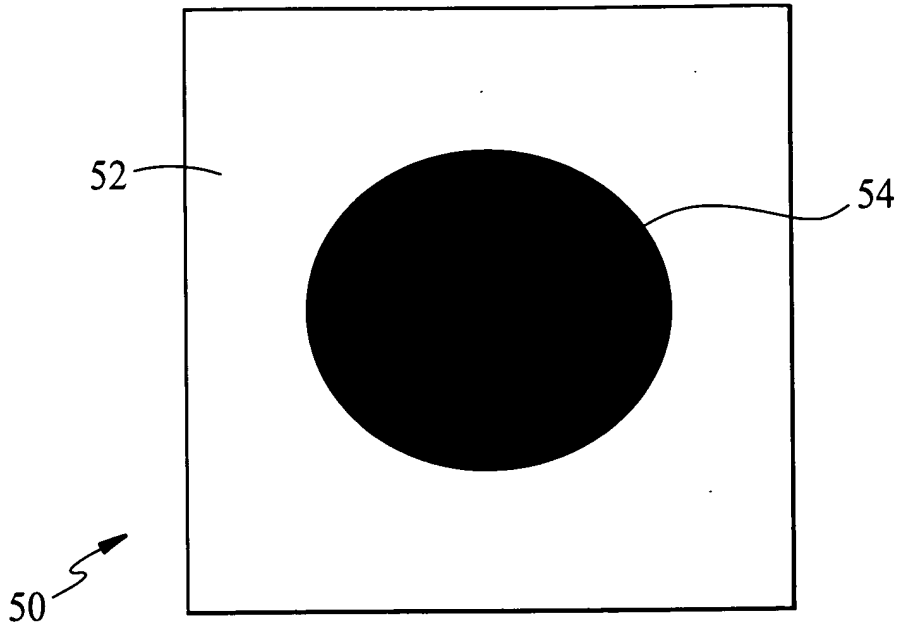


FIG. 5

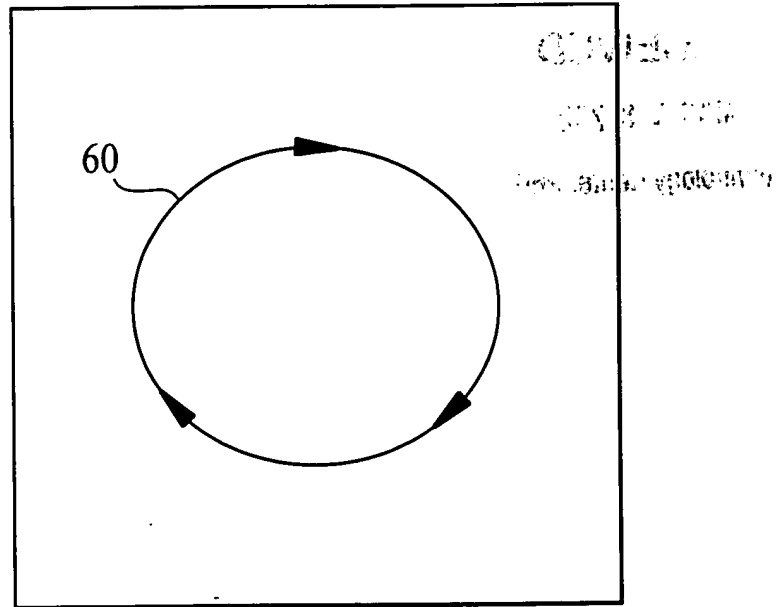


FIG. 6

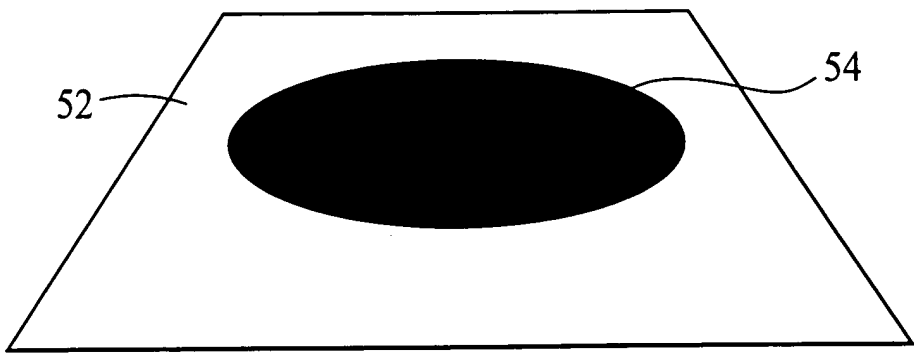


FIG. 7

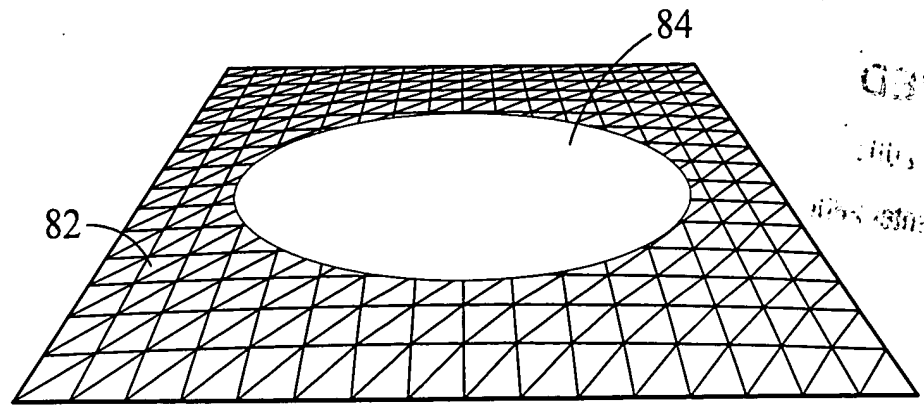
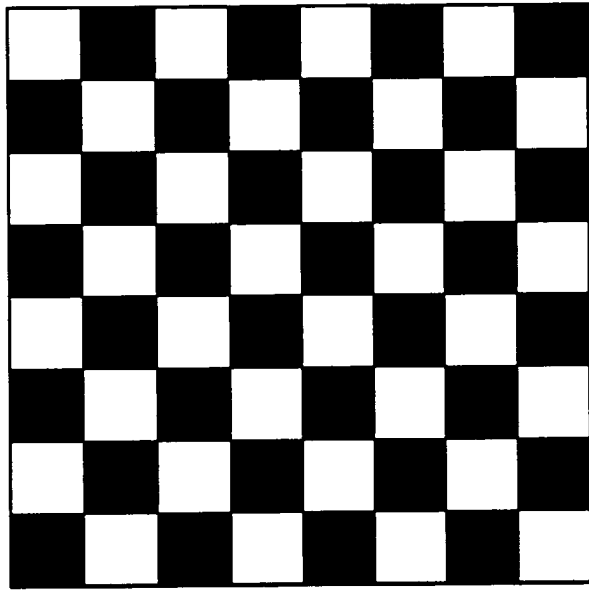


FIG. 8

CLASSIFIED
DATE 6/2/80
BY SP-10/STW/STW

APPROVED FOR PUBLICATION
BY THE BOARD OF SUPERVISORS
DATE 10/15/88



90

FIG. 9

APPROVED FOR PUBLICATION
DATE 10/15/88
BY THE BOARD OF SUPERVISORS

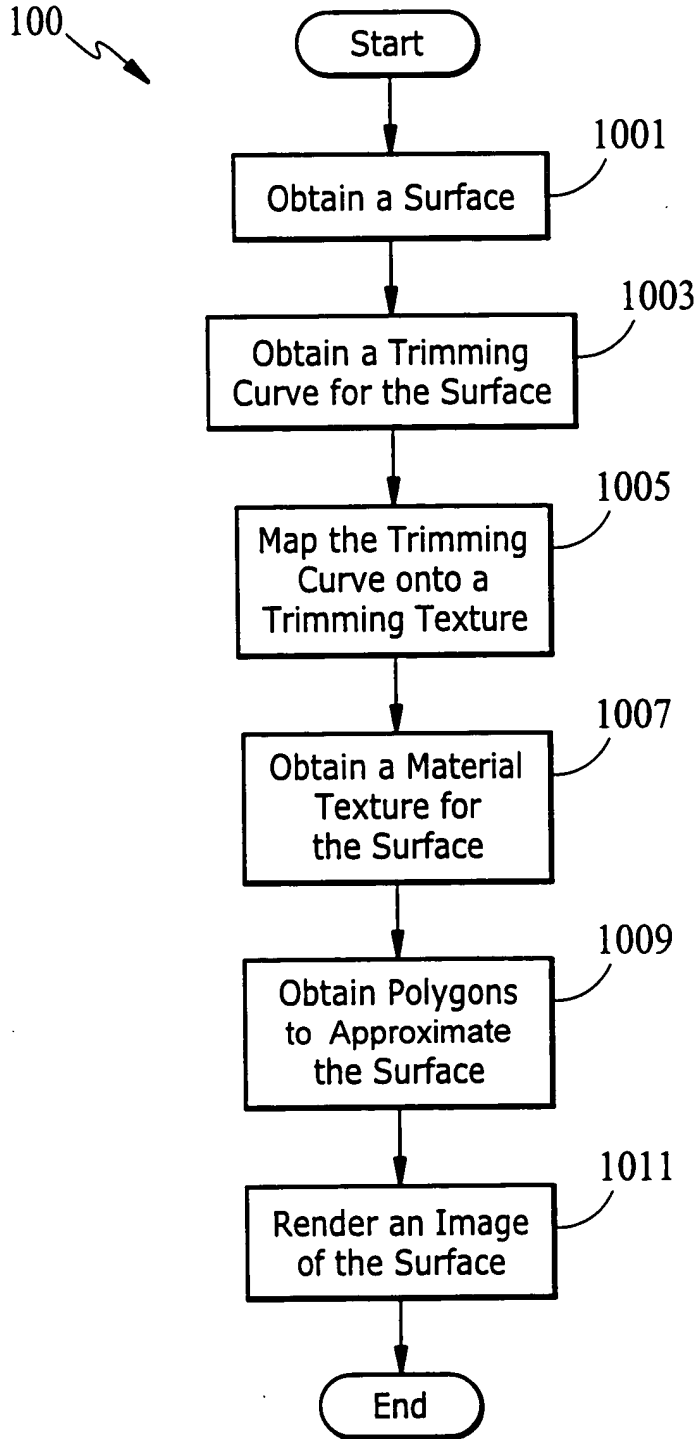


FIG. 10

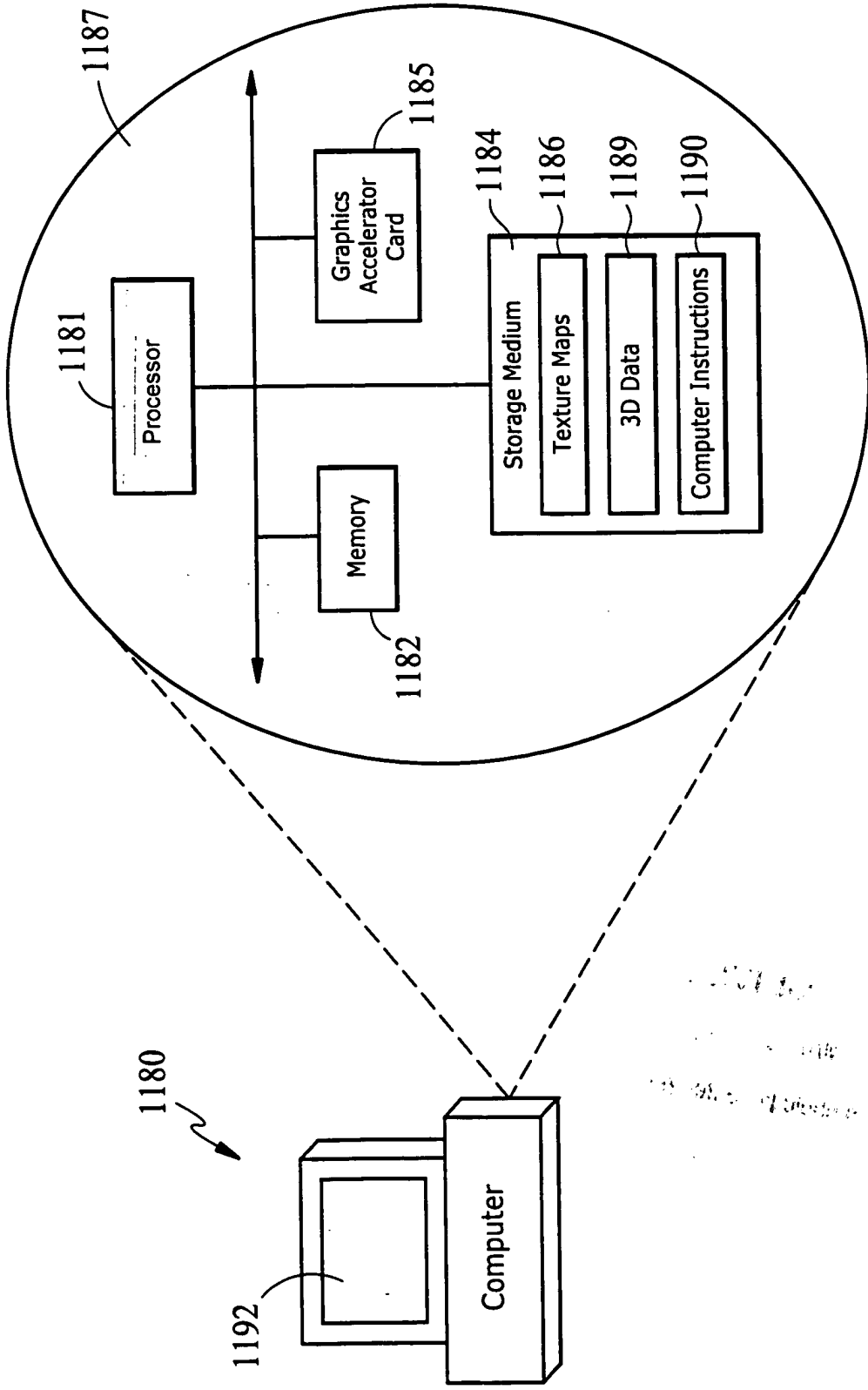


FIG. 11

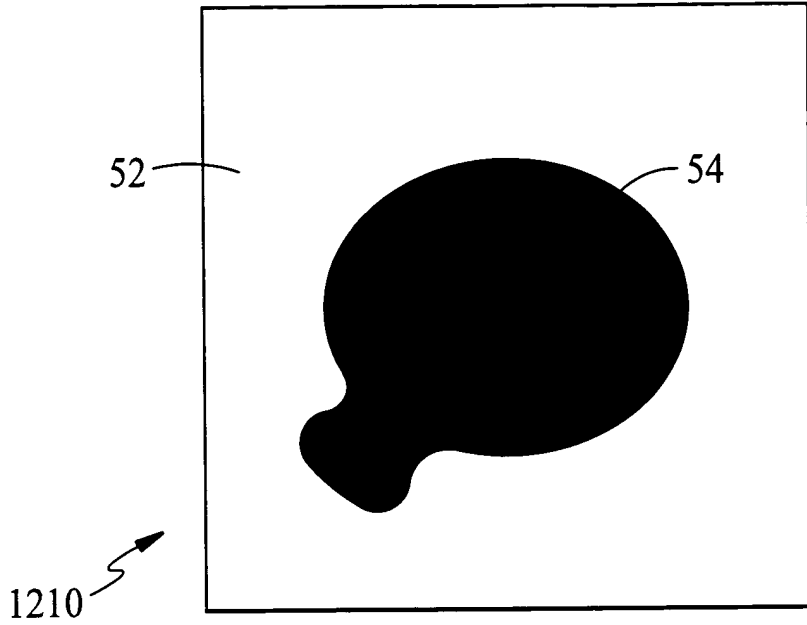


FIG. 12

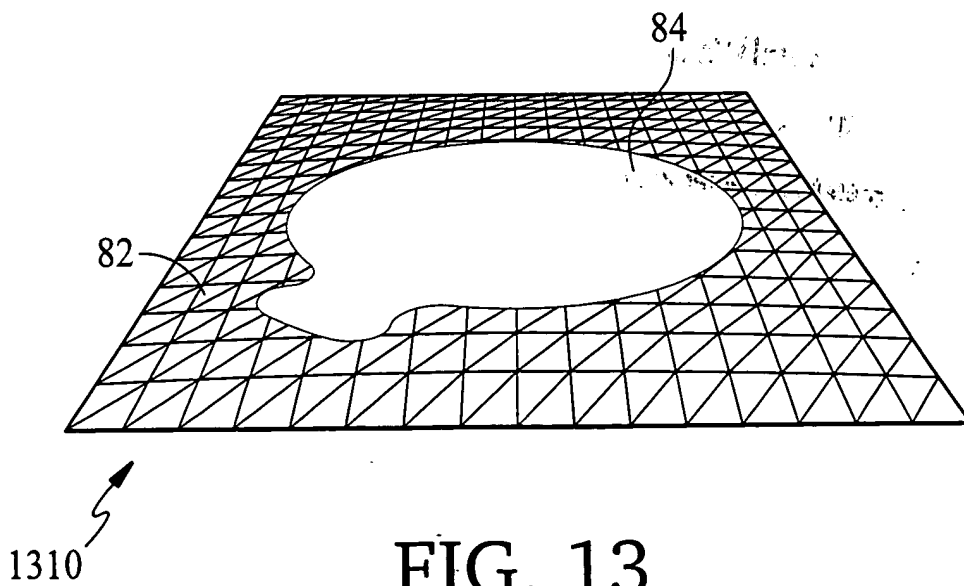


FIG. 13